

P. R. POWELL.

TOY.

APPLICATION FILED SEPT. 14, 1912.

1,116,841.

Patented Nov. 10, 1914.

3 SHEETS—SHEET 1.

Fig. 1.

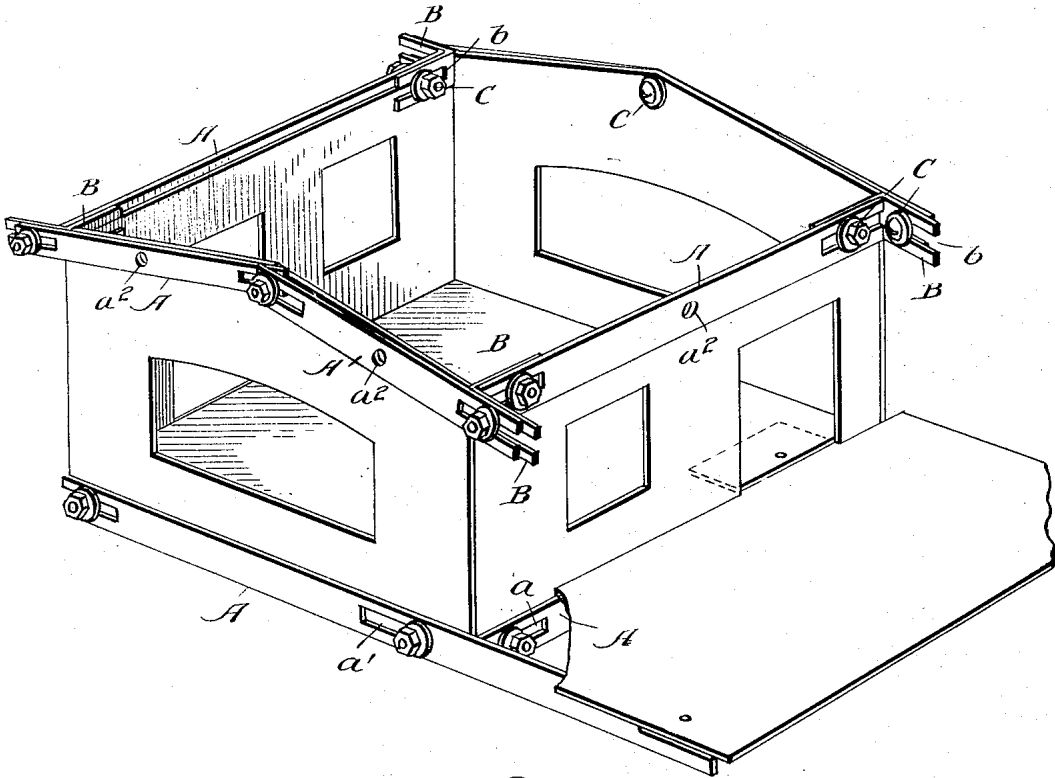
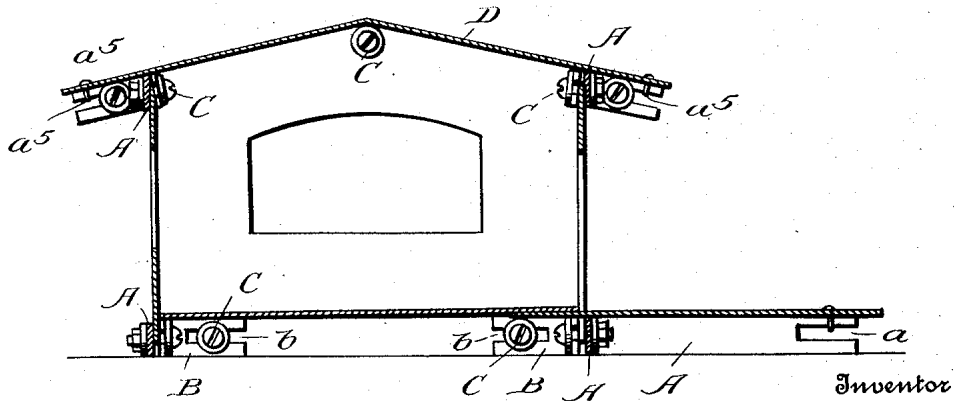


Fig. 2.



Inventor

Paul R. Powell

By Church & Church

his Attorneys

Witnesses

Thomas Durant
Halbert Brown

P. R. POWELL.
TOY.

APPLICATION FILED SEPT. 14, 1912.

1,116,841.

Patented Nov. 10, 1914.

3 SHEETS-SHEET 2.

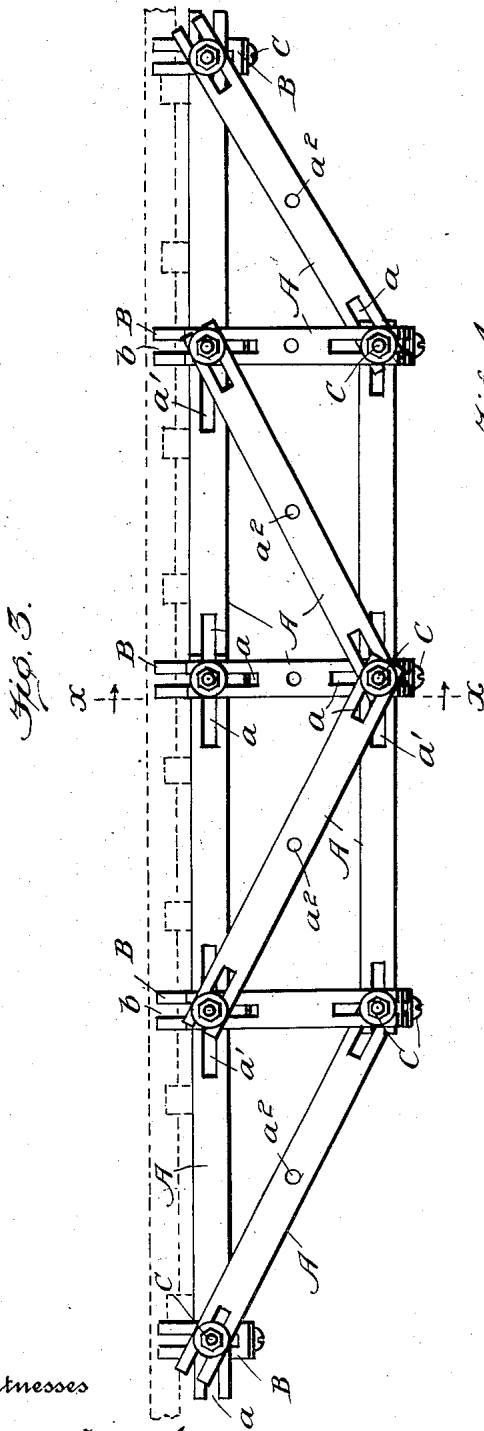


Fig. 3.

Fig. 4.

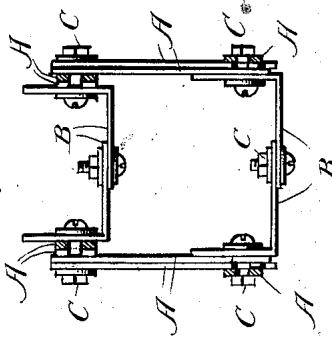
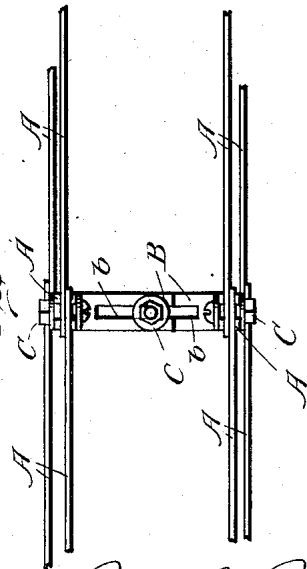


Fig. 5.



Witnesses
Thomas Durant
Albert Brown.

Inventor
Paul R. Powell
By Church & Church
his Attorneys

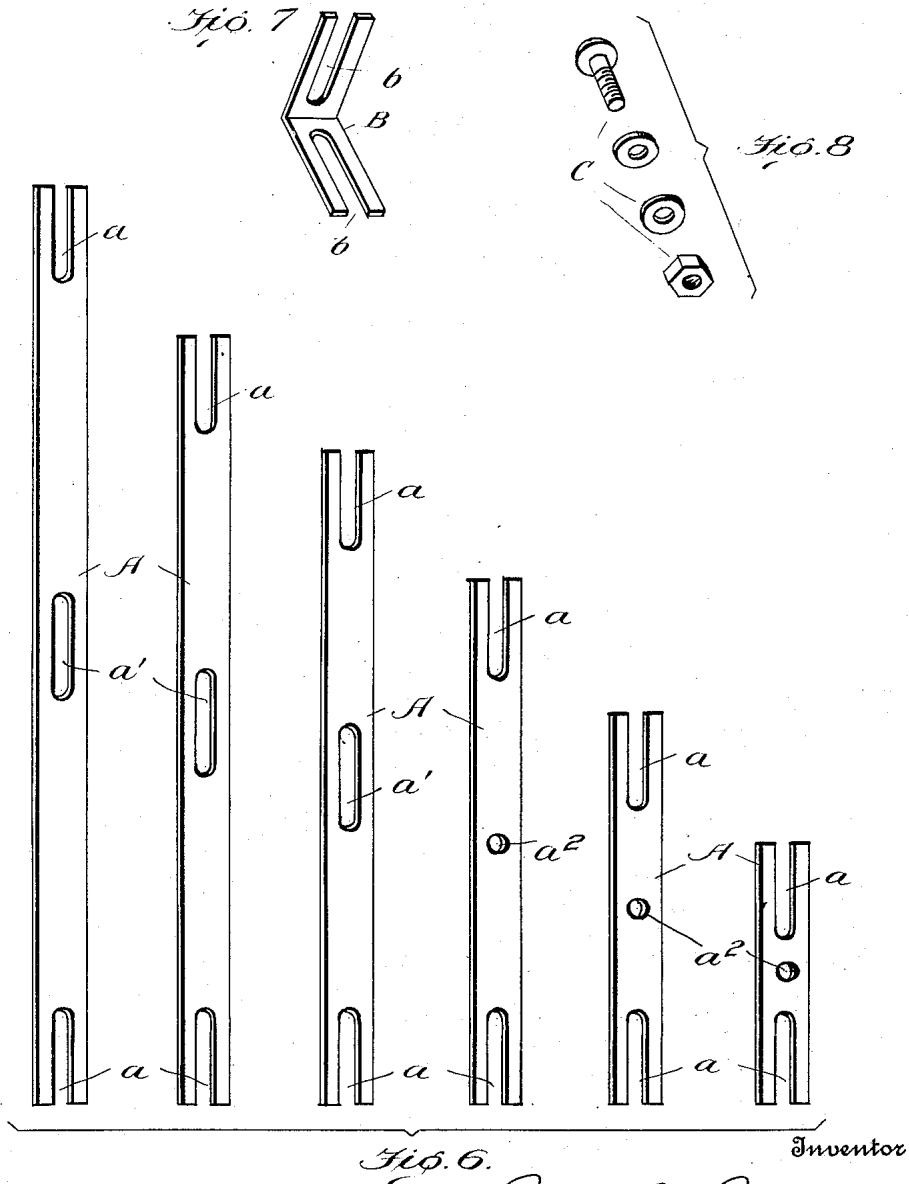
P. R. POWELL.
TOY.

APPLICATION FILED SEPT. 14, 1912.

1,116,841.

Patented Nov. 10, 1914.

3 SHEETS—SHEET 3.



Witnesses

Thomas Grant
Halbert Brown.

Fig. 6.

Paul R. Powell

By Church & Church

his Attorneys

UNITED STATES PATENT OFFICE.

PAUL R. POWELL, OF BALTIMORE, MARYLAND, ASSIGNOR TO THE IVES MANUFACTURING CORPORATION, OF BRIDGEPORT, CONNECTICUT, A CORPORATION OF CONNECTICUT.

TOY.

1,116,841.

Specification of Letters Patent. Patented Nov. 10, 1914.

Application filed September 14, 1912. Serial No. 720,417.

To all whom it may concern:

Be it known that I, PAUL R. POWELL, a citizen of the United States, residing at Baltimore, in the State of Maryland, have invented certain new and useful improvements in Toys; and I do hereby declare the following to be a full, clear, and exact description of the same, reference being had to the accompanying drawing, forming part of this specification, and to the figures and letters of reference marked thereon.

This invention relates to improvements in toys which shall afford amusement as well as instruction, and it consists generally of a number of separate units or parts which may be united together to form different structures such as bridges, frame-work for houses, etc.

To these ends the invention consists in certain novel details of construction and combinations and arrangement of parts all as will be now described and the particular features of novelty pointed out in the appended claims.

In the accompanying drawings,—Figure 1 is a perspective view of a toy house showing one manner of utilizing the present invention; Fig. 2 is a transverse section, with the roof of the house in place; Fig. 3 is a side elevation of a toy bridge constructed according to the present invention; Fig. 4 is a section on line $x-x$, Fig. 3; Fig. 5 is a top plan view of a portion of Fig. 3; Figs. 6, 7 and 8 illustrate the several units or parts which make up the toy.

Similar letters of reference in the several figures indicate the same parts.

The several units or parts which go to make up the toy consist of metal strips A of different lengths, shown in Fig. 6, and the angle pieces B and nuts and bolts C, as shown in Figs. 7 and 8. The metal strips A are of different lengths, and are provided at each end with open ended elongated slots a , extending longitudinally of the strip and intermediate their ends some of the strips are provided with elongated slots a' , extending longitudinally of the strip, and others with circular openings a'' , as shown clearly in Fig. 6. The branches of the angle piece B are also provided with open-ended elongated slots b , extending longitudinally of

the branches, the slots in the several units permitting adjustment of the parts, as will be understood.

The house illustrated in Figs. 1 and 2, consists of card board or other suitable material forming the walls, and these are supported by means of the frame work consisting of the strips A, which are placed along the upper and lower edges of the card board walls, and connected thereto at the corners by means of the angle pieces B and bolts C, as clearly shown in said figure. Two of the strips are employed at the top of the end walls of the house, connected together at a slight inclination to each other to follow the inclination of the top of the side walls. The roof D, consisting of card board, is secured to the frame pieces in any suitable manner, as, for instance, by the bent pins a^5 . The floor and extended platform are secured to the frame pieces in the same way.

In the bridge illustrated in Fig. 3, the longitudinal side frames consist of several strips A, united together, and truss-work consisting of thin strips A, all connected together, the side framing of the bridge being connected together by means of angle pieces B, as shown clearly in Fig. 4, two being shown connected together, forming a U-shaped brace.

As will be understood, the toy consists of a plurality of each of the several units or parts, so that a number of different toy structures may be constructed, those illustrated being shown only by way of example.

Having thus described my invention, what I claim as new and desire to secure by Letters Patent of the United States, is:

1. A toy embodying units or parts, said units consisting of flat metal strips and angle pieces, said strips each having open ended slots at each end extending longitudinally of the strip and also having elongated slots intermediate its ends extending longitudinally of the strip, said angle pieces having open ended elongated slots in the end of the branches extending longitudinally thereof, and means for securing the several units together.

2. A toy embodying units or parts consisting of flat metal strips and angle pieces, each strip having open ended slots at each

end extending longitudinally of the strip, and an opening intermediate its ends, said angle pieces having open ended slots in the ends of the branches extending longitudinally thereof, said slots and openings being adapted for the reception of means for adjustably securing the units together, and means for so securing the units.

3. A miniature straight flat structural

steel section having open slots in the opposite ends thereof. 10

4. A miniature straight flat structural steel section having one or more slots therein and an open slot in each of its end portions.

PAUL R. POWELL.

Witnesses:

ALEXINA JONCAS,
E. B. MILLINGTON.