

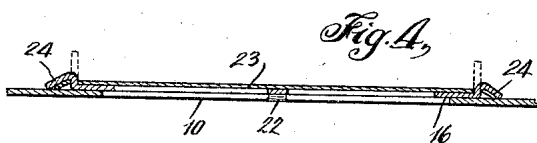
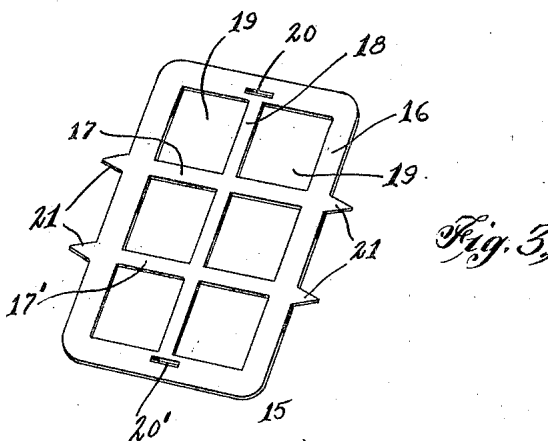
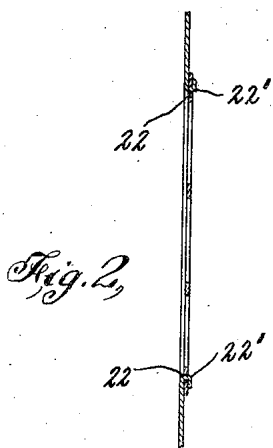
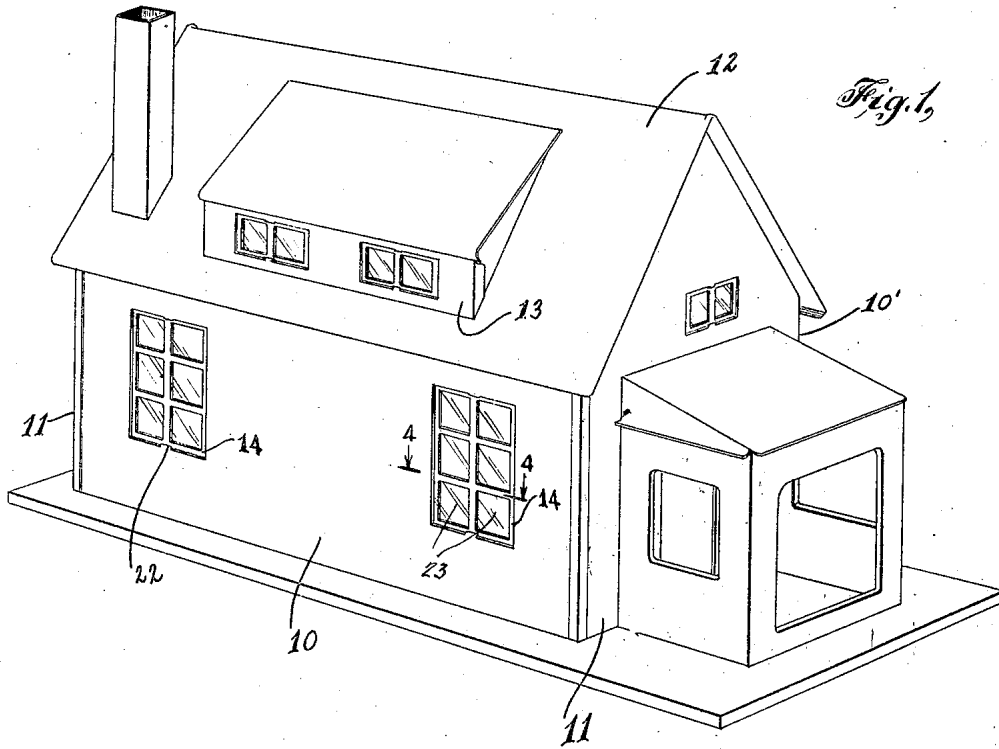
Sept. 14, 1926.

M. CARUSO

1,599,513

TOY HOUSE

Filed March 6, 1924



INVENTOR
MARIO CARUSO

BY
Morris Spinkstein
ATTORNEY

Patented Sept. 14, 1926.

1,599,513

UNITED STATES PATENT OFFICE.

MARIO CARUSO, OF IRVINGTON, NEW JERSEY, ASSIGNOR TO THE LIONEL CORPORATION, A CORPORATION OF NEW YORK.

TOY HOUSE.

Application filed March 6, 1924. Serial No. 697,272.

This invention relates to toy houses. The object of this invention is to provide in a toy house simple and easily manufactured means for providing windows in imitation of the usual windows so as to give the desired realistic effect.

Other objects of this invention will in part be obvious and in part hereinafter pointed out.

The invention accordingly consists in the features of construction, combinations of elements and arrangement of parts which will be exemplified in the construction hereinafter described and of which the scope of application will be indicated in the following claims.

In the accompanying drawing, in which is shown one of the various possible illustrative embodiments of this invention:—

Fig. 1 is a perspective view of a toy house construction which embodies my invention;

Fig. 2 is an end cross-sectional view through one of the windows;

Fig. 3 is a perspective view of the separate panel employed in connection with the window openings to give the desired window effect; and

Fig. 4 is a transverse section through one of the windows taken at right angles to Fig. 2 along line 4—4 of Fig. 1.

Referring in detail to the drawing, I have there illustrated my invention as applied to a toy house in imitation of a railroad station of the kind employed in connection with toy railroads, the house comprising front and rear walls 10, 10', and walls 11, 11', a gable roof 12, and an attic 13. These toy houses are usually made of sheet metal or the like cut out at intervals to provide openings such as 14 for the windows. For affording simple and easily attachable means in connection with such window openings for providing the imitative window panes, I provide a separate panel indicated generally at 15 which may be stamped from sheet metal, or otherwise suitably formed, so as to provide a frame 16, and spaced horizontal cross bars 17, 17' and one or more vertical bars such as 18 at right angles thereto so as to divide the space bounded by the frame 16 into small openings 19 to imitate window panes. Slots 20, 20' are provided in two sides of the frame 16, and ears or projections 21 extend from the frame for the purpose now to be described.

Adjacent the window openings 14, in the walls of the toy houses, the sheet metal forming the walls is provided with lips 22 shaped and bent from the metal preferably at the same time that the window openings are cut therefrom. The panel 15 is secured in the window opening from the interior of the structure as shown in Fig. 2, the lips 22 passing through the slots 20 and being then overturned against the rear face of the panel 15 as shown at 22' in Fig. 2 of the drawing. If desired, I may employ in connection with the window construction a suitable insert of celluloid, mica or the like material 23 which may be held in place by means of the extension 21 of the panel 15, these extensions being bent at right angles and forced through the insert 23 and then being overturned as at 24, thus securing the insert to the rear face of the panel in position to register with the window openings 19. The panel 15 may be suitably painted or decorated so as to harmonize with the general painting or decoration of the walls into which they are fitted. The panel 16, as will be readily understood, may be very easily made in one stamping operation and of various sizes so as to be adapted for various sizes of window openings as will be readily understood.

It will thus be seen that there is provided a device in which the several objects of this invention are achieved and which is well adapted to meet the conditions of practical use.

As various possible embodiments might be made of the above invention and as various changes might be made in the embodiment above set forth, it is to be understood that all matter herein set forth or shown in the accompanying drawings is to be interpreted as illustrative and not in a limiting sense.

Having thus described my invention, I claim as new and desire to secure by Letters Patent:—

1. In a toy house construction, a window panel comprising a frame having cross bars for dividing said panel into a plurality of window shaped openings, said frame having a slot therein adapted to receive securing means for supporting the frame.

2. In a toy house, in combination with a supporting wall having a window opening of a panel having spaced openings therein, mounted in the window opening, an insert

extending over said panel openings, and means extending from said panel for securing said insert to the panel.

3. A toy house having a window opening, a panel mounted to extend over said opening, said panel having a through opening and peripheral extensions, and a transparent insert mounted over said panel opening, said insert being secured in position by the panel extensions.

4. In a toy house, in combination with a

supporting wall having a window opening, a lip extension adjacent the opening, a window panel comprising a frame and bars for dividing said panel into a plurality of window sections, said frame having a slot therein to receive the lip extension for holding the frame over the window opening.

In testimony whereof I affix my signature.

MARIO CARUSO.