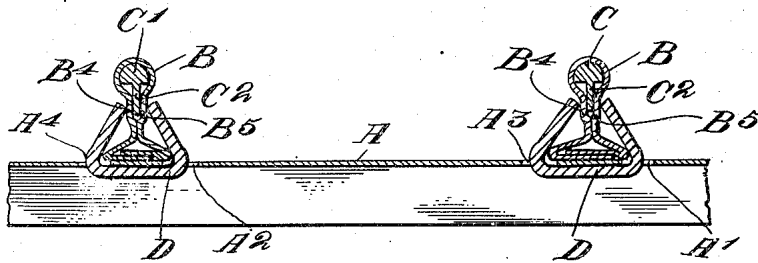
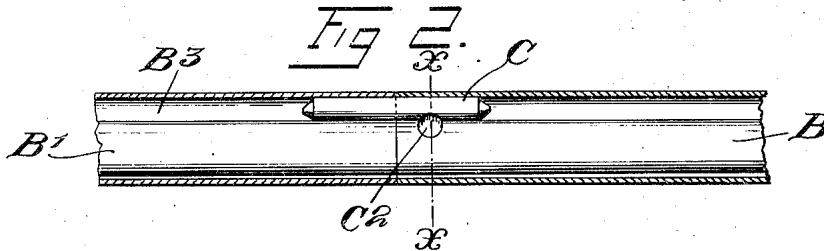
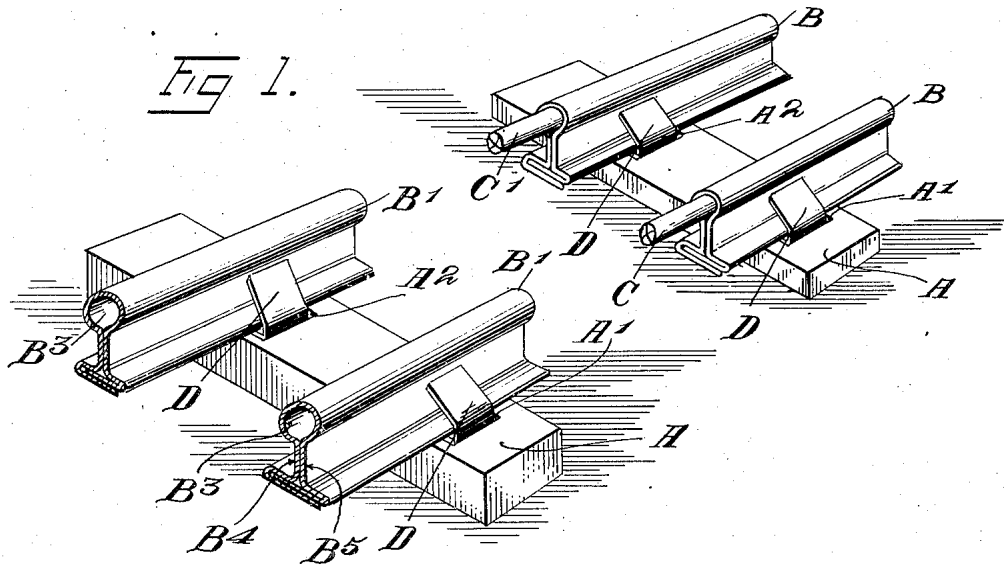


JOSHUA L. COHEN (BY JUDICIAL CHANGE OF NAME NOW JOSHUA L. COWEN).
 TOY RAILWAY RAIL.
 APPLICATION FILED DEC. 18, 1909.

976,722.

Patented Nov. 22, 1910.



WITNESSES:

H. L. Mudlock
Minnie S. Miller

Fig. 3.

INVENTOR

Joshua L. Cohen
 BY
Frank W. Ashley
 ATTORNEY

UNITED STATES PATENT OFFICE.

JOSHUA L. COHEN, OF NEW YORK, N. Y. (BY JUDICIAL CHANGE OF NAME NOW JOSHUA L. COWEN), ASSIGNOR TO THE LIONEL MANUFACTURING COMPANY, A CORPORATION OF CONNECTICUT.

TOY-RAILWAY RAIL.

976,722.

Specification of Letters Patent. Patented Nov. 22, 1910.

Application filed December 18, 1909. Serial No. 533,821.

To all whom it may concern:

Be it known that I, JOSHUA L. COHEN, a citizen of the United States, and a resident of New York city, in the county of New York and State of New York, have invented certain new and useful Improvements in Toy-Railway Rails, of which the following is a specification.

My invention relates to toy railroad tracks, and the object of the same is to provide a track in which a pin is used to connect the ends of the rails in alinement with each other, and means for securely holding the pins in the rails.

A further object is to hold the cross tie, rail and pin in the rail, together, by the same means.

Referring to the drawings which form a part of this specification, Figure 1, is a perspective view of two end sections of track disclosing the rails mounted on and connected to cross ties. Fig. 2, is a longitudinal sectional view through two abutting rails and disclosing the connecting pin. Fig. 3, is a cross sectional view through the tie and rails, and discloses the means by which the parts are secured together.

A, indicates a sheet metal tie formed in a stamping machine and provided with slots A'—A²—A³— and A⁴ respectively. The rails B and B¹ are mounted on the ties as illustrated, and are formed from thin sheet tin by a rolling process in a forming machine and are provided with a hollow tread B² in the end of which are inserted pins C and C¹ respectively, the projecting pins in one section being disposed opposite to the hollow tread of the opposite sections in alinement therewith so that the two rail sections may be coupled together.

The pin C is provided with a depending web C² which is pressed from the body of the pin and rests between the rail members B⁴ and B⁵ respectively.

D, indicates a holding clip made of much heavier metal than that forming the rails, and its ends are inserted upward through slots A' and A³ respectively and then forced inward against the members B⁴—B⁵, forcing

them tightly together and clamping the web C² firmly in position thus preventing the withdrawal of the pins from the rails, and uniting the tie, rail and pin firmly together.

Having thus described my invention, what I claim as new and desire to secure by Letters Patent is:

1. A toy railway track embodying a tie, a rail and a pin in one end of said rail united by a clip in fixed combination.

2. A toy railway track comprising a tie, a rail and a pin in one end of said rail, and a clip the ends of which press against said rail adjacent to said pin and serves to hold said pin in fixed position in said rail.

3. A toy railway track comprising a tie having slots formed therein, a rail having members B⁴ and B⁵, a pin having a depending web resting between said members, and a clip the ends of which extend through said slots and embrace said rail members opposite said web, thus uniting said parts in fixed position relative to each other.

4. A toy railway track comprising a tie formed of sheet metal and a rail having a hollow tread and a pin fastened permanently in said hollow tread and projecting therefrom, and a clip embracing said rail and serving to prevent the enlargement of said hollow tread.

5. A toy railway track comprising a cross-tie having slots therein, a sheet metal rail, a pin connected to said rail and projecting therefrom, and a clip made of sheet metal and of heavier material than that from which the rail is made which extends through slots in the tie and embraces the rail directly under said pin to hold the tie, rail and pin together in fixed relation.

6. In a railway track the combination of a cross-tie; a sheet metal rail, and a pin connected to said rail and projecting therefrom, and a clip which connects said tie to said rail and the upper ends of which contact with said rail directly below the point where the pin is held in said rail to prevent the loosening of the pin therein.

7. In a railway track the combination of a cross-tie; a sheet metal rail, having a hol-

low tread and exposing an opening at its end; and a clip which connects said tie to said rail and the upper ends of which contact with said rail directly below said hollow
5 tread to prevent the enlargement of said opening therein.

Signed at New York city, in the county

of New York and State of New York, this 3d day of December, 1909.

JOSHUA L. COHEN.

Witnesses:

DORA ABELSON,
A. T. SCHARPS.